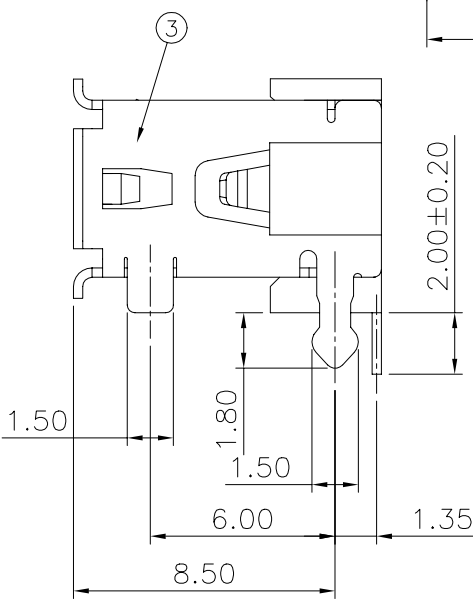
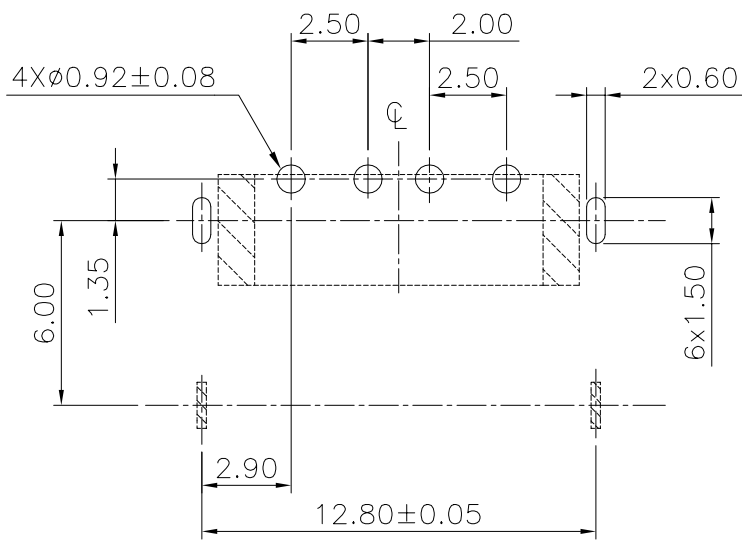


Recommended P.C.B Layout (Component Side)



NOTE: 020167MR004 □□ 00ZX

1. Selective plating
  - 'S1,-05u" Min. gold in contact area/ 100u" Min. Tin in solder area.
  - 'S2,-Gold flash in contact area/ 100u" Min. Tin in solder area.
  - 'S3,-10u" Min. gold in contact area/ 100u" Min. Tin in solder area.
  - 'S4,-15u" Min. gold in contact area/ 100u" Min. Tin in solder area.
  - 'S5,-30u" Min. gold in contact area/ 100u" Min. Tin in solder area.
  - 'S6,-50u" Min. gold in contact area/ 100u" Min. Tin in solder area.

② Base on SUYIN 2567A Series

Dimensional Information

SUYIN P/NO	Package
020167MR004SX00ZA	Tray Package without CAP
020167MR004SX00ZR	Reel Package with CAP

4				
3	SHELL	Brass	—	Nickel Plated
2	TERMINAL	Pho.Bronze	—	Gold/Tin Plated
1	HOUSING	NY-6T	Black	UL 94V-0
NO.	DESCRIPTION	MATERIAL	COLOR	REMARK

**SUYIN**  
CONNECTOR

CUSTOMER COPY TITLE: USB SERIES A, R/A TRIPLE POPT DIP TYPE

PART NO.	020167MR004SX00ZX
PART NO. (OLD)	
DRAWING NO. <sup>D</sup> / <sub>ING</sub>	020167MR004SX00ZX
SCALE	4:1
UNIT	mm
A4	⊕

ECN (DCN) NO.	REV	DATE	DESCRIPTION	CHANGE	APPRO.	GENERAL TOLERANCE UNLESS OTHERWISE NOTED	APPRO.	宋權哲	02/12/02
						Angle ±2°	DRAW	薛梅	02/12/02
						30 ~ ±0.50	DESIGN	薛梅	02/12/02
						10 ~ 30 ±0.30	CHECK	宋權哲	02/12/02
						~ 10 ±0.15	APPRO.	宋權哲	02/12/02